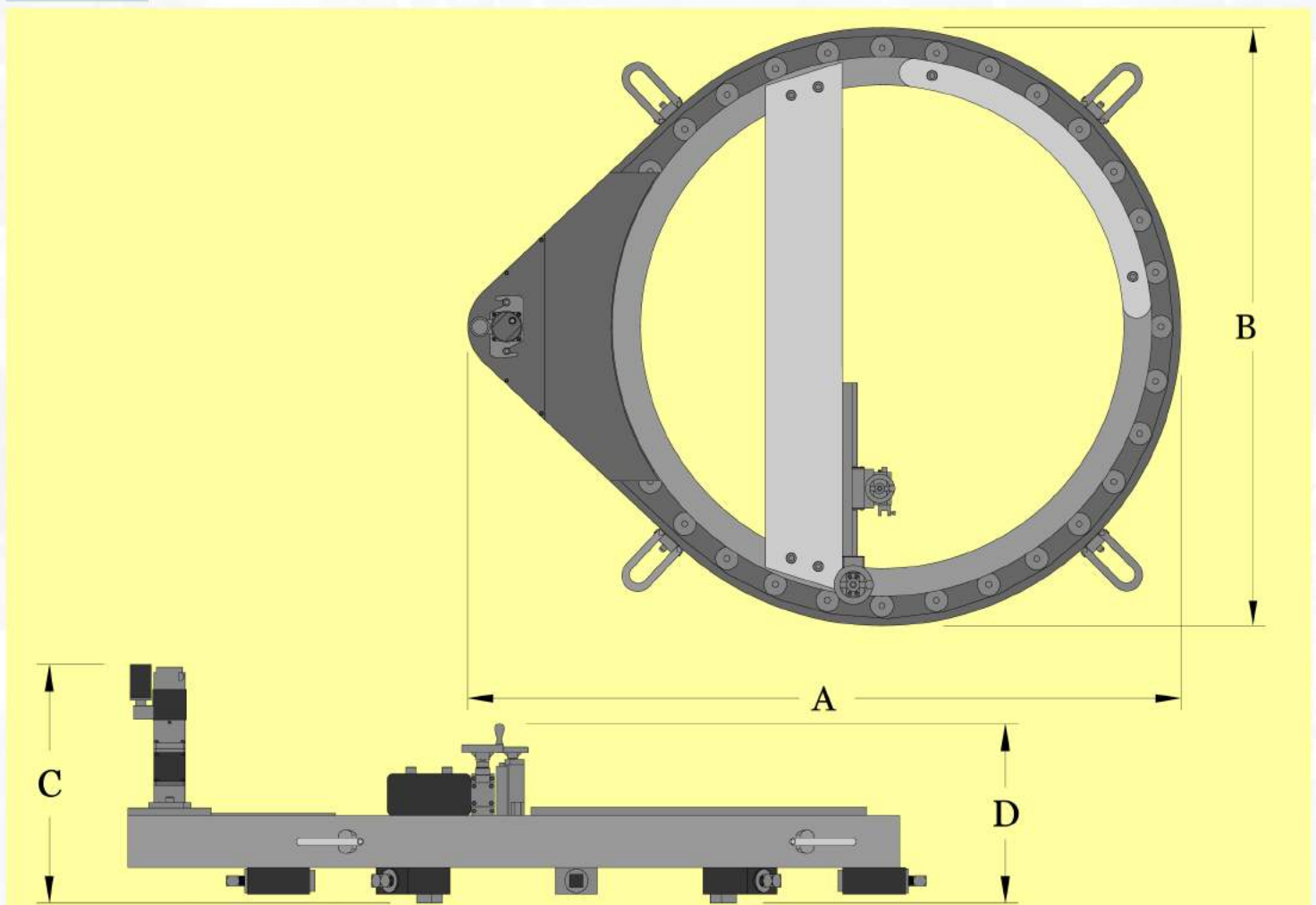


MERIDIAN FACING EQUIPMENT

O.D. Mount Facing Equipment 20" To 70"

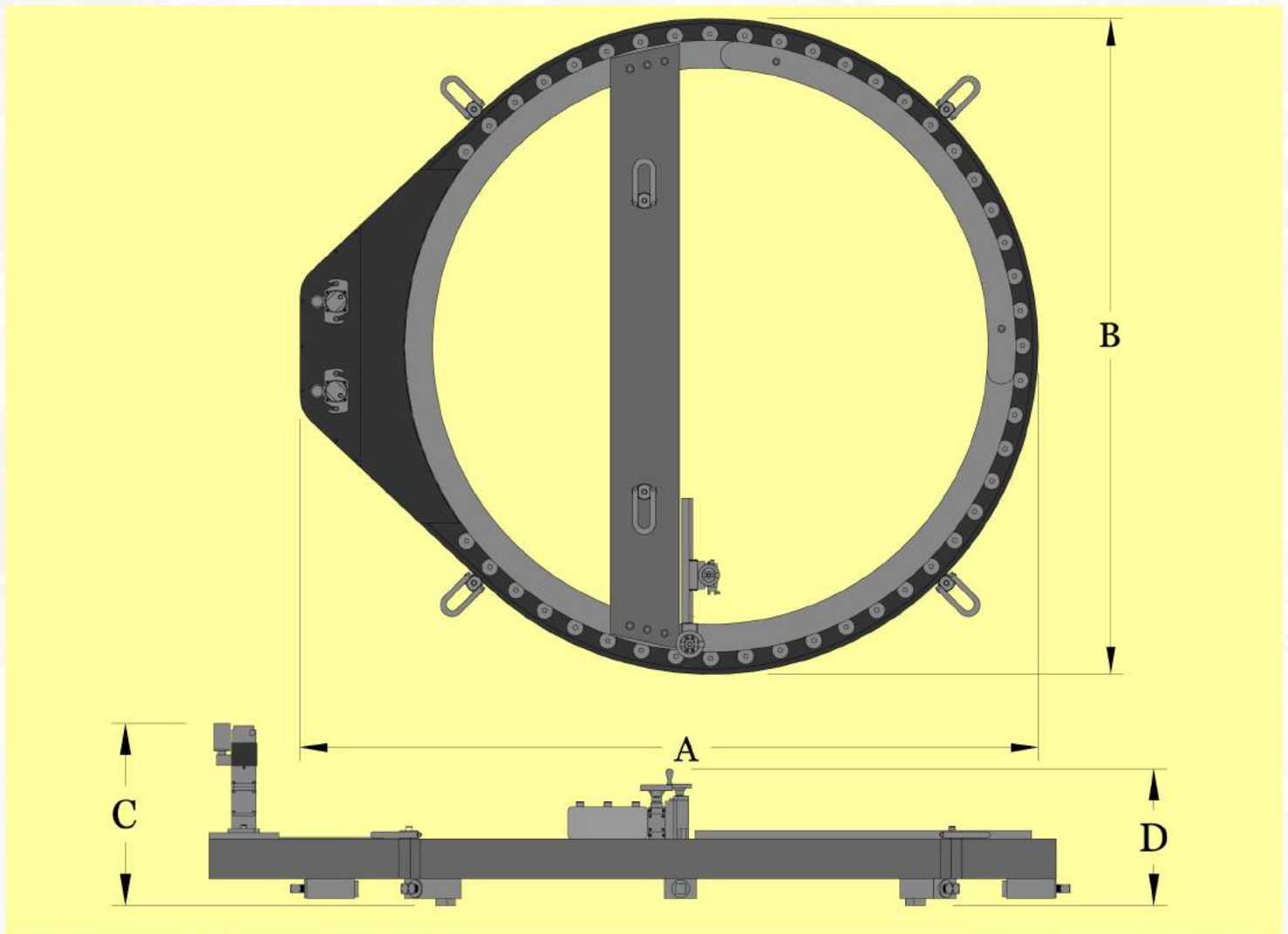
Model	A	B	C	D	Weight	Shipping Dimensions (L x W x H)	Shipping Wt.	Jaws Fixed/Adj
ODM20	39"	32"	22.875"	17"	600 lbs.	40" x 40" x 24"	700 lbs.	0 / 4
ODM 30	49"	42"	22.875"	17"	950 lbs.	50" x 50" x 24"	1050 lbs.	0 / 4
ODM40	64"	52"	22.875"	17"	1250 lbs.	60" x 60" x 24"	1350 lbs.	0 / 4
ODM 50	74"	62"	22.875"	17"	1450 lbs.	70" x 70" x 24"	1550 lbs.	4 / 4
ODM 60	84"	72"	22.875"	17"	1650 lbs.	80" x 80" x 24"	1850 lbs.	4 / 4
ODM 70	94"	82"	22.875"	17"	1850 lbs.	90" x 90" x 24"	2500 lbs.	4 / 4



MERIDIAN FACING EQUIPMENT

O.D. Mount Facing Equipment 80" To 120"

Model	A	B	C	D	Weight	Shipping Dimensions (L x W x H)	Shipping Wt.	Jaws Fixed/Adj
ODM 80	106.5"	94.5"	22.875"	17"	3200 lbs.	126" x 90" x 90"	4200 lbs.	4 / 4
ODM 90	116.5"	104.5"	22.875"	17"	3500 lbs.	126" x 90" x 90"	4500 lbs.	4 / 4
ODM 100	126.5"	114.5"	22.875"	17"	3800 lbs.	126.5" x 90" x 90"	4800 lbs.	4 / 4
ODM 110	136.5"	124.5"	22.875"	17"	4100 lbs.	136.5" x 90" x 92"	5100 lbs.	4 / 4
ODM 120	146.5"	134.5"	22.875"	17"	4400 lbs.	146.5" x 90" x 102"	5400 lbs.	4 / 4



MERIDIAN PORTABLE MILLING MACHINE

Model	A	B	C	D	E	F	G	H	Weight	Shipping Dimensions (L x W x H)	Shipping Weight
M 48	10.5"	8"	23.75"	39.25"	12"	14.5"	49.625"	4"	400 lbs.	68" x 24" x 29"	700 lbs.
M 72	10.5"	10"	23.75"	39.25"	12"	14.5"	73.625"	5"	900 lbs.	92" x 24" x 29"	1125 lbs.
M 96	10.5"	10"	23.75"	39.25"	12"	14.5"	97.625"	5"	1000 lbs.	116" x 24" x 29"	1300 lbs.

