

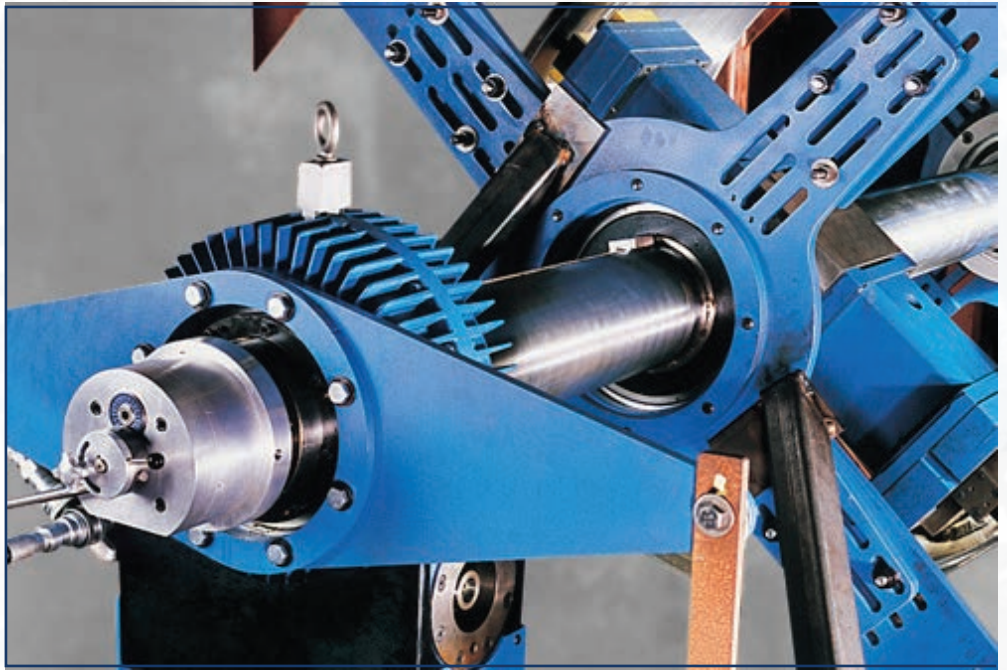
PACKING BIG BORING CAPABILITY INTO A COMPACT, MODULAR MACHINE. MAXIMIZING EFFICIENCY AND MINIMIZING DOWNTIME.

Powerful Yet Compact

- Take the power of a stationary machine to the job site to solve tough machining challenges in record time.
- Using 11.3 in³ (185.3 cm³) Hydraulic motor, produces 4783 ft•lb (6484.9 N•m) of torque at the bar, at 15.1 rpm.
- Compact, modular components allow fast, easy setup, maximizing efficiencies, and minimizing downtime.

Versatile and Flexible

- Machines bores from 17.1 - 85.1 inches (434.3 - 2161.5 mm) in diameter, and faces from 14 - 97.7 inches (355.6 - 2481.6 mm) with various facing attachments.
- ID and End mount bearings feature spherical taper-lock roller bearings.
- End mount can be fine adjusted by +/- 0.25 inches (6.35 mm) to center the bar.
- Optional dual action boring/facing arms increase facing range, and allow for both boring and facing without switching equipment. Full-length square ways on boring/facing arms allow for quick positioning anywhere along the arm. Attaches to the net fit tool carrier by compression-clamping, to provide maximum tool stability.
- Machine is highly adjustable. The tool carrier, half nut, alignment of boring/facing arm, and tool carriage can each be adjusted to maximize machining performance.
- Net fit tool carrier can be clamped to bar for facing operations. For boring operations, carrier can be adjusted to remove clearance between carrier and the bar. This flexibility also ensures maximum rigidity for either operation



- Net fit tool carrier designed with a split frame to simplify installation on the boring bar. It can be configured to use either the boring head set for boring or facing, or the new boring/facing arm assembly.
- With leading & trailing boring head configuration, 2 boring heads can be used simultaneously.
- For even greater facing range with longer radial travel, the new boring/facing arms are available. Setup is quick & easy, featuring industry standard quick-change tooling for both boring and facing operations.
- Highly versatile tool holder block accepts industry standard tooling with a nominal 1 inch (25.4 mm) square shank.
- Tool post on the boring/facing arm can be rotated to provide maximum flexibility in machining setup (including some cantilevered configurations).

High Quality Design

- Features a uniquely-designed modular tool carrier which provides a new level of strength and rigidity by channeling machining forces directly to the boring bar through strategically-located adjustable guide shoes.
- Hard chromed bars, straight to within 0.001 inch per foot (0.0254 per 304.8 mm)
- Optional gun-drilled bars with optical targets available.
- Adjustable, removable half nut increases net fit tool carrier flexibility. Easy removal of tool carrier allows for machining of multiple bores.
- Backlash adjustment nut allows in-the-field adjustment to eliminate backlash in the tool carrier, and extend the life of the machine.

SPECIFICATIONS

	US	Metric
Boring and Facing Ranges		
Boring diameter range, standard stack block assembly:	17.1 - 85.1 inches	434.3 - 2161.5 mm
Boring diameter range boring/facing arm assembly:		
with 26 inch (660.4) boring/facing arm assembly	28.9 - 43.7 inches	734.1 - 1110.0 mm
with 34 inch (863.6) boring/facing arm assembly	36.5 - 59.7 inches	927.1 - 1516.4 mm
with 53 inch (1346.2) boring/facing arm assembly	55.1 - 97.7 inches	1399.5 - 2481.6 mm
Facing diameter range, mechanical facing head assembly:		
with 5, 8, or 12 inch (127.0, 203.2 or 304.8 mm) mechanical facing head assemblies	24.5 - 80 inches	622.3 - 2032.0 mm
(5 and 8 inch facing head assemblies have 8 inch stroke, 12 inch facing head assembly has 12 inch stroke)		
Facing diameter range, slide arm assembly:		
with 26 inch (660.4) boring/facing arm assembly	23.1 - 43.7 inches	586.7 - 1110.0 mm
with 34 inch (863.6) boring/facing arm assembly	23.1 - 59.7 inches	586.7 - 1516.4 mm
with 53 inch (1346.2) boring/facing arm assembly	23.1 - 97.7 inches	586.7 - 2481.6 mm
Facing diameter range, boring/facing arm assembly (tool post reversed):		
("tool post reversed" refers to rotating the tool post so that the tool is on the bar side of the tool post.)		
with 26 inch (660.4) boring/facing arm assembly	14.0 - 17.4 inches	355.6 - 442.0 mm
with 34 inch (863.6) boring/facing arm assembly	14.0 - 27.4 inches	355.6 - 696.0 mm
with 53 inch (1346.2) boring/facing arm assembly	14.0 - 49.4 inches	355.6 - 1254.8 mm
Performance Data		
Rotational Drive Unit (RDU) Gear Ratio:	20 : 1	10 : 1 optional (2xfast, 1/2torque)
Hydraulic motor size affects torque and speed		
Theoretical values calculated using a 25 Hp hydraulic power unit producing 2000 psi (13790 kPa) continuous, [normal operation is 1200 psi (8270 kPa)] and pumping 15 gpm (68 l/min).		
Hydraulic motor size range:	7.3 - 17.9 in3	119.6 - 293.3 cm3
Boring Bar Torque with 20:1 RDU:	3350 - 6068 ft•lb	4542 - 8227.1 N•m
Max boring rpm with 20:1 RDU:	23.5 - 9.6 rpm	23.5 - 9.6 rpm
For example, with 11.3 in3 (185.3 cm3) hydraulic motor (43457):		
Boring Bar Torque with 20:1 RDU:	4783 ft•lb	6484.9 N•m
Max boring rpm with 20:1 RDU:	15.1 rpm	15.1 rpm
Feed Rate of mechanical Axial Feed Unit (AFU):	0.003 - 0.030 in/rev.	0.076 - 0.762 mm/rev.
Feed Rate of electric Axial Feed Unit (AFU) In "slow" speed	0 - 0.3 in/min.	0 - 7.62 mm/min.
Measures		
Shipping weight (estimated):		
(machine with RDU, AFU, boring head set, tool carrier, tool kit, and hydraulic motor.)		
for machine (metal crate)	5700 lbs.	2585.5 kg
for machine (wood crate)	5850 lbs.	2653.5 kg
for 1 Bearing	1070 lbs.	485.3 kg
for boring bar	14.5 lbs/inch	2.6 kg/cm
15 Hp or 25 Hp Hydraulic Power Unit	1073 lbs	486.7 kg
Shipping dimensions:		
Machine, in wood crate, W, D, H	18.5 x 34 x 23.7 inches	469.6 x 863.6 x 602 mm
Machine, in steel crate, W, D, H	20 x 40 x 25 inches	508 x 1016 x 635 mm
Bearing (each bearing shipped separately) W, D, H	40 x 40 x 12.7 inches	1016 x 1016 x 322.6
12 foot (365.8 cm) bar W, D, H	24 x 18 x 152 inches	609.6 x 457.2 x 3860.8 mm
15 or 25 Hp Hydraulic Power Unit W, D, H	64 x 30 x 50 inches	1625.6 x 762 x 1270 mm

TOOL CONFIGURATIONS

Configure your BB8100 in nine easy steps.

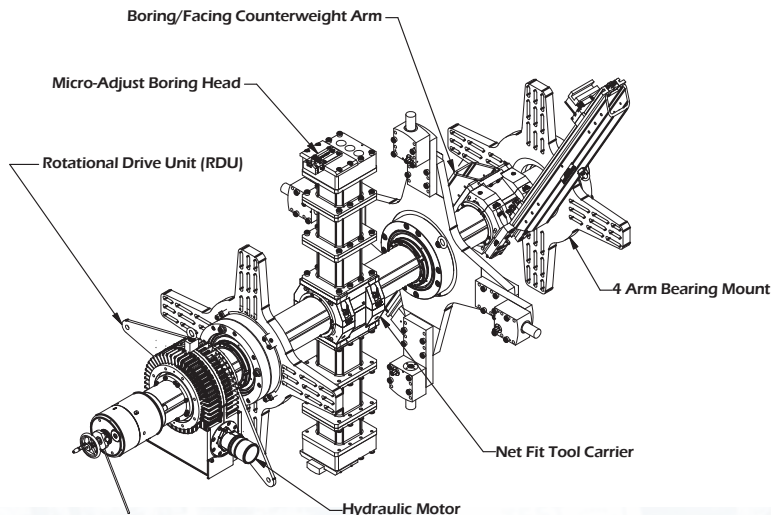
To configure your BB8100 Boring Machine:

- 1 Select a Base Unit
- 2 Select an Axial Feed Assembly
- 3 Select Bearing Assemblies
- 4 Select a Boring Bar
- 5 Select a Hydraulic Motor Assembly
- 6 Select Boring Diameter Ranges
- 7 Select Boring Heads
- 8 Select a Boring/Facing Arm Assembly
- 9 Select a Shipping Container

To configure the boring machine you require, simply select the option you need in each step, then contact your Climax representative.

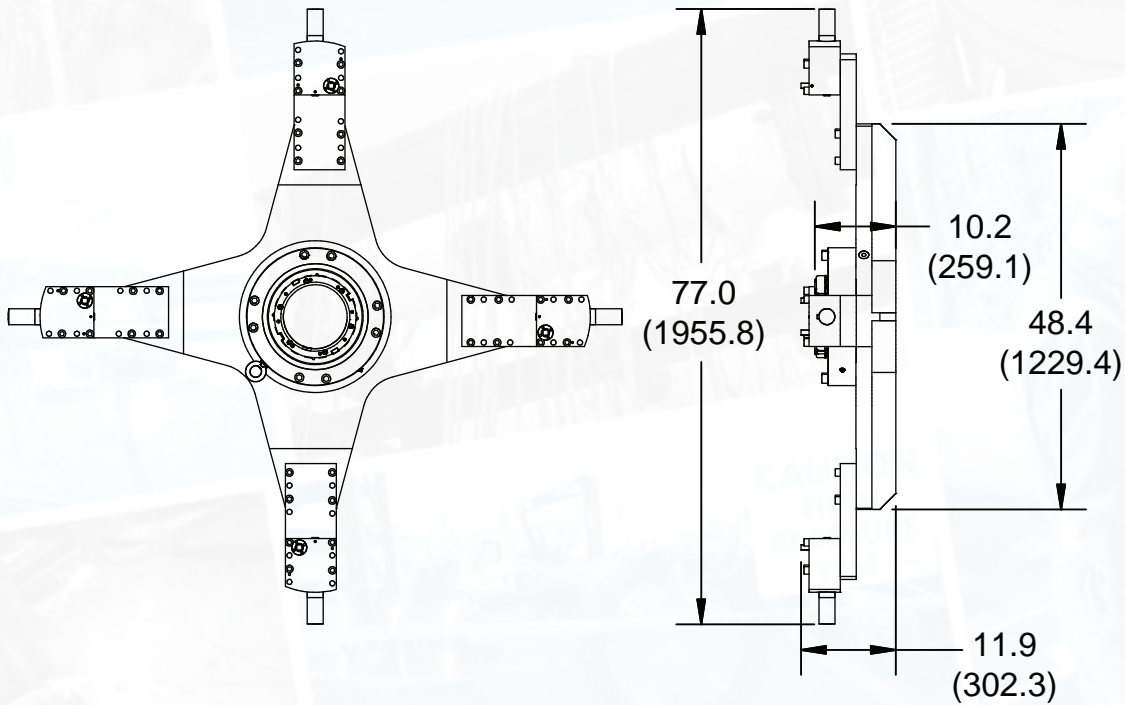
1 Base Unit	_____
Rotational drive unit, tool carrier assembly, tool kit, and instruction manual.	
Base unit, 20:1 gear ratio	54453
Base unit, 10:1 gear ratio	54454
2 Axial Feed Assembly	_____
Mechanical axial feed assembly	23393
Electrical axial feed assembly, 120V	43734
Electrical axial feed assembly, 230V	40724
3 Bearing Assemblies	_____
End mount self-aligning bearing assy w/ spider	23550
End mount self-aligning bearing assy, no spider	25074
ID mount non self-aligning bearing assembly diameter of 23 - 27.5 inches (584.2 - 698.5 mm)	18572
ID mount non self-aligning bearing assembly diameter of 23 - 35 inches (584.2 - 889.0 mm)	18573
ID mount non self-aligning bearing assembly diameter of 23 - 49.5 inches (584.2 - 1257.3 mm)	18574
ID mount non self-aligning bearing assembly diameter of 23 - 63.5 inches (584.2 - 1612.9 mm)	18575
ID mount non self-aligning bearing assembly diameter of 23 - 77 inches (584.2 - 1955.8 mm)	18576
Non self-aligning bearing assembly, no spider	18533
* Multiple units may be ordered.	
4 Boring Bar (8 inch (203.2 mm) diameter)	_____
Boring bar assembly, 8 feet (243.8 cm)	34305
Boring bar assembly, 10 feet (304.8 cm)	34306
Boring bar assembly, 12 feet (365.8 cm)	34307
Boring bar assembly, 14 feet (426.7 cm)	34308
Boring bar assembly, 16 feet (487.7 cm)	34309
Boring bar assembly, 18 feet (548.6 cm)	34310
Boring bar assembly, 20 feet (609.6 cm)	34311

4 Boring Bar , Contginued (8 inch (203.2 mm) diameter)	_____
Gun-drilled bars with optical targets:	
Boring bar assembly, with optics, 8 feet (243.8 cm)	17602
Boring bar assembly, with optics, 10 feet (304.8 cm)	17603
Boring bar assembly, with optics, 12 feet (365.8 cm)	17604
Boring bar assembly, with optics, 14 feet (426.7 cm)	17605
Boring bar assembly, with optics, 16 feet (487.7 cm)	17606
Boring bar assembly, with optics, 18 feet (548.6 cm)	17607
Boring bar assembly, with optics, 20 feet (609.6 cm)	17608
* Multiple units may be ordered.	
5 Hydraulic Motor Assembly	_____
Hydraulic motor assembly, 7.3 CIR (120 cm ³ /rev)	43455
44 bar rpm @ 15 gpm**	
Hydraulic motor assembly, 8.9 CIR (146 cm ³ /rev)	43456
36 bar rpm @ 15 gpm**	
Hydraulic motor assembly, 11.3 CIR (185 cm ³ /rev)	43457
29 bar rpm @ 15 gpm**	
Hydraulic motor assembly, 14.1 CIR (231 cm ³ /rev)	43458
22 bar rpm @ 15 gpm**	
Hydraulic motor assembly, 17.9 CIR (293 cm ³ /rev)	43459
18 bar rpm @ 15 gpm**	
* Multiple units may be ordered.	
** Theoretical, calculated values shown	
6 Boring Diameter Ranges (select tooling in next step)	_____
Stack up blocks, boring diameter range 17.1 - 31.1 inches (434.3 - 789.9 mm)	81254
Stack up blocks, boring diameter range 17.1 - 45.1 inches (434.3 - 1145.54 mm)	81255
Stack up blocks, boring diameter range 17.1 - 85.1 inches (434.3 - 2161.5 mm)	81256
7 Boring Heads	_____
Micro adjust boring head 1 inch*	79021
Solid tooling boring head, leading & trailing	81246
* Multiple units may be ordered for leading & trailing	
8 Boring/Facing Arm Assembly	_____
Mechanical facing head assy, 5 inch (127.0 mm)	21115
Mechanical facing head assy, 8 inch (203.2 mm)	38654
Mechanical facing head assy, 12 inch (304.8 mm)	22359
Boring/facing arm assembly, 26 inch (660.4 mm)	54401
Boring/facing arm assembly, 34 inch (863.6 mm)	54402
Boring/facing arm assembly, 53 inch (1346.2 mm)	54403
9 Shipping Container	_____
Plywood hinged crate, 39 x 58 x 31inches (990.6 x 1473.2 x 787.4 mm)	42955
Metal shipping container, 39 x 58 x 31inches (990.6 x 1473.2 x 787.4 mm)	54368
* Machine components only.	
Bars and bearings available in wood only.	

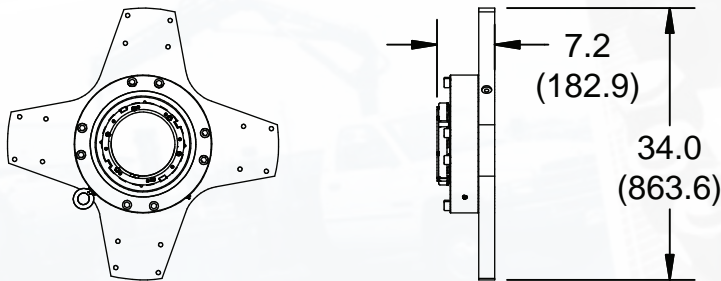


OPERATIONAL DIMENSIONS

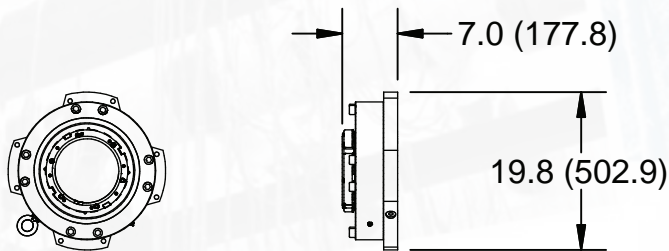
Dimensions in Inch (mm)



ID Mount 48.5 - 77 inches (1231.9 - 1955.8 mm)



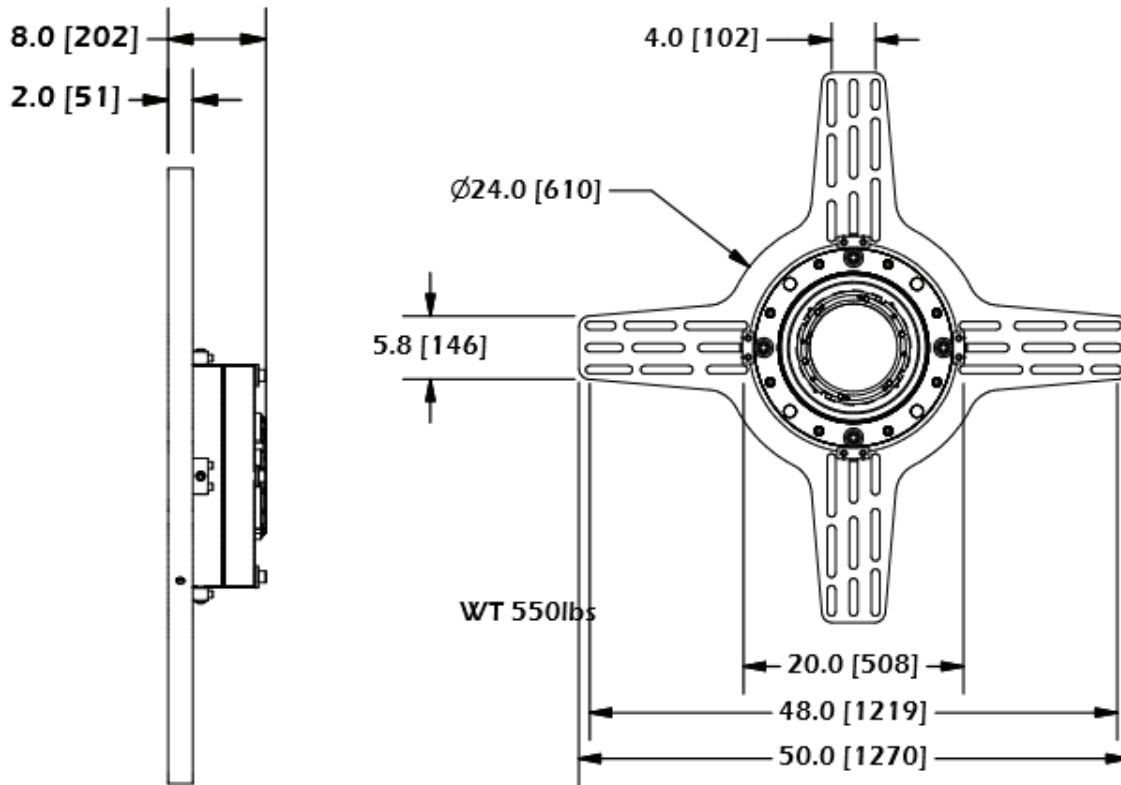
ID Mount 34.25 - 62.75 inches (870.0 - 1593.9 mm)
(Centering Assembly not shown)



ID Mount 20.0 - 48.5 inches (508.0 - 1231.9 mm)
(Centering Assembly not shown)

OPERATIONAL DIMENSIONS

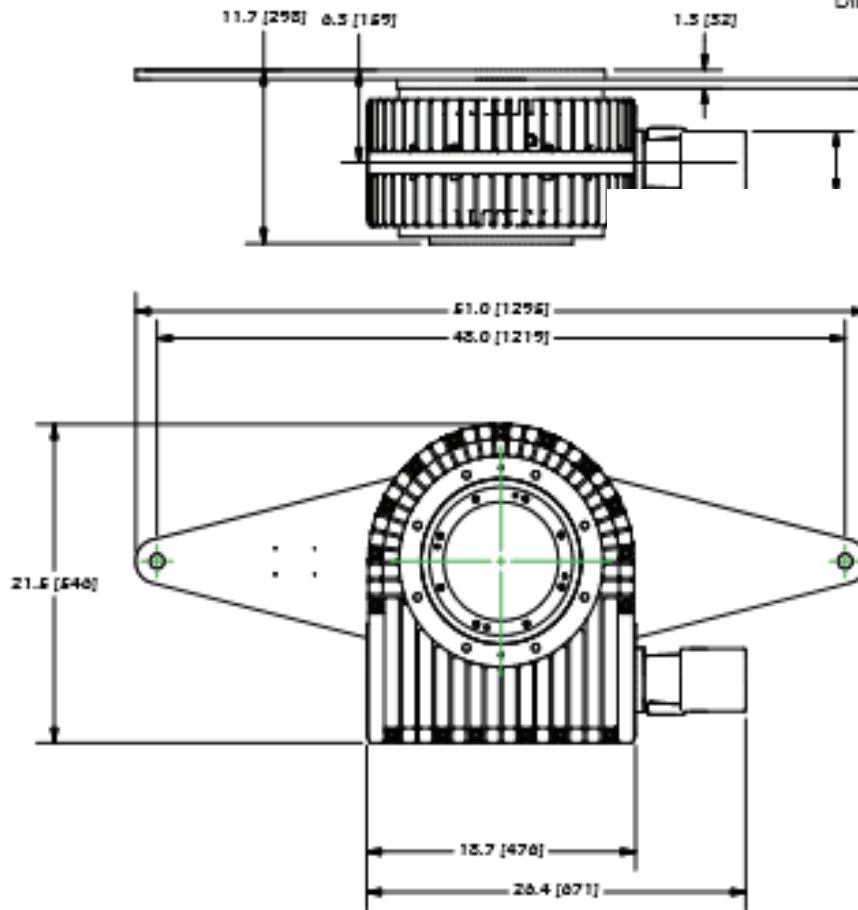
Dimensions in Inch (mm)



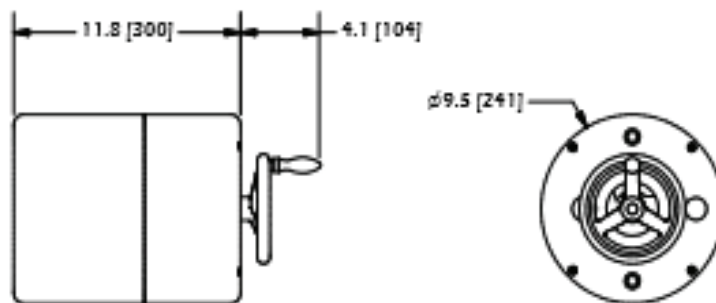
Spider Assembly 4-Arm Self-Aligning End Bearing Support

OPERATIONAL DIMENSIONS

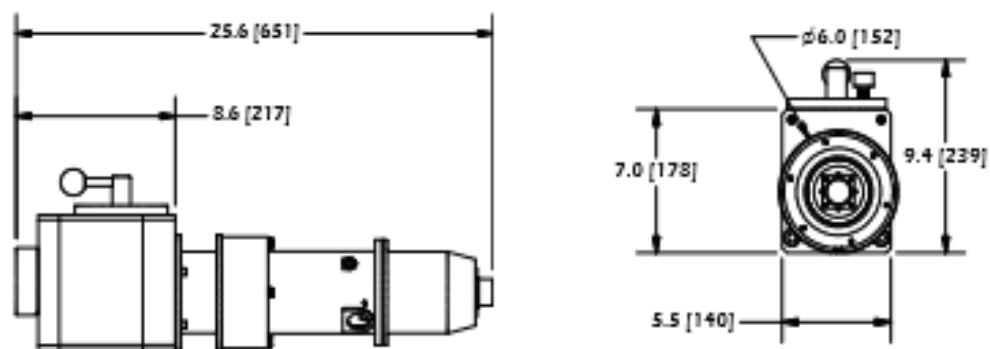
Dimensions in Inch (mm)



Mechanical Axial Feed Assembly



Electrical Axial Feed Assembly

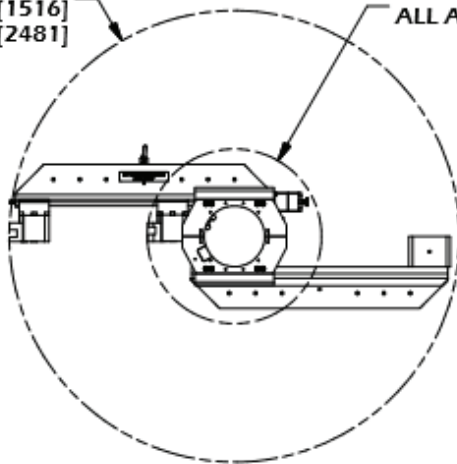


Rotational Drive Unit

OPERATIONAL DIMENSIONS

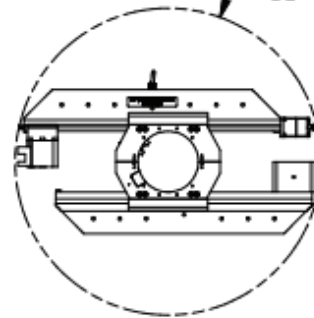
Dimensions in Inch (mm)

MAX FACE/BORE
26" Ø43.7 [1110]
34" Ø59.7 [1516]
53" Ø97.7 [2481]

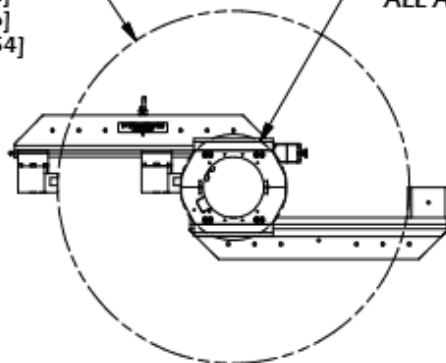


MIN FACE
ALL ARM LENGTHS Ø23.1 [587]

MIN FACE SWING
26" Ø32.9 [835]
34" Ø40.6 [1031]
53" Ø59.2 [1505]



**MAX FACE
TOOL POST REVERSED**
26" Ø17.4 [442]
34" Ø27.4 [696]
53" Ø49.4 [1254]



**MIN FACE
TOOL POST REVERSED**
ALL ARM LENGTHS Ø14.0 [356]

MIN BORE
26" Ø28.9 [733]
34" Ø36.5 [927]
53" Ø55.1 [1399]

