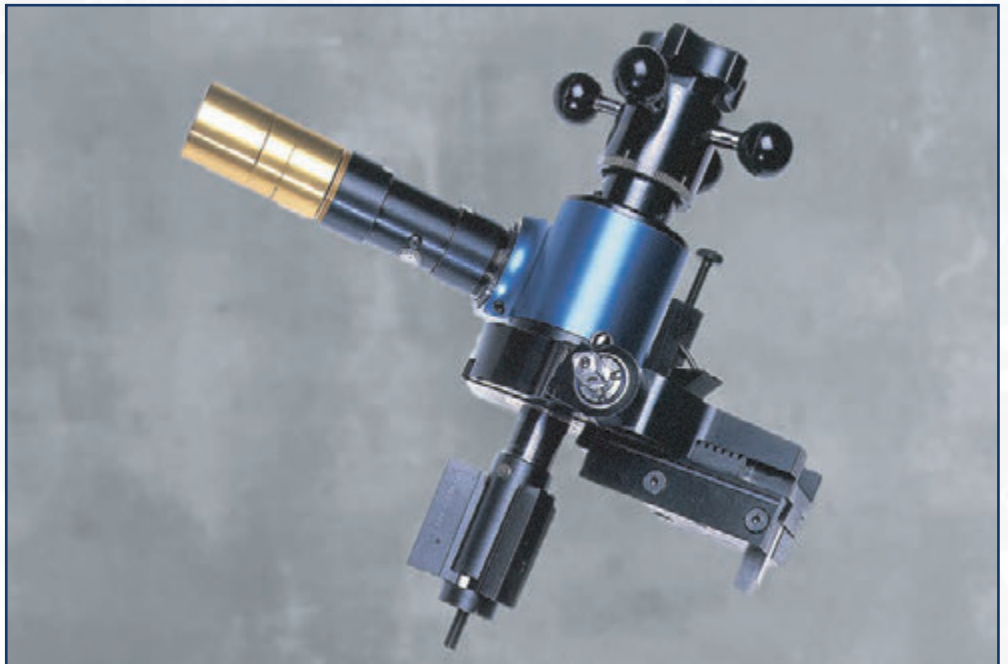


COMPACT, LIGHTWEIGHT AND EASY TO SET UP.

Compact and Versatile

- Low profile machine is one of the most compact on the market today.
- Lightweight, weighing only 58 lbs (26.3 kg).
- Modular design and versatile setup allows the chuck and main body to be set up separately before placement in the bore.
- Machine raised and flat flanges.
- Bi-directional feed.
- Feed is reversible and infinitely variable for a surface finish of 63 – 500 RMS.
- Optional beveling head connects with "Quick-Lock" system, making changeover quick & easy.



Powerful, Quality Components

- 1.45 Hp (1.08 kW) motor allows typical material removal rate of 1 cubic inch (16.4 cm³) per minute.
- Pneumatic motor comes complete with filter, lubricator, and flow control.
- Features rugged main body, heavy-duty bearings, sealed lubrication, and rigid mounting system.

Cost Effective

- Cuts costs in four ways:
 - Reduces downtime.
 - Eliminates off-site machining costs
 - Eliminates leak sealing procedures.
 - Reduces stock of replacement flanges.
- Recoup the cost of a Climax Flange Facer in the first few flange facing jobs.

SPECIFICATIONS

	US	Metric
Flange Facing Diameter	3.0 - 19.0 inches	88.9 - 482.6 mm
Beveling Diameter (with optional beveling head)	3.0 - 12.75 inches	76.2 - 323.9 mm
Pipe Facing Diameter (with optional beveling head)	3.0 - 12.75 inches	76.2 - 177.8 mm
ID Mounting Diameter	3.0 - 12.5 inches	88.9 - 317.5 mm
Feed rate (reversible, variable)	0.002 to 0.040 inches/rev.	0 to 1.016 mm/rev.
Power, Pneumatic	1.45 Hp	1.08 kW
Power Requirement	48 scfm, 90 psi	1.36 m ³ /min, 629 kPa
Operating Weight		
With 19 inch (482.6 mm) facing head	66 lbs	29.9 kg
With 12 inch (304.8 mm) beveling head	60 lbs	27.2 kg
Shipping Weight	250 lbs	113.4 kg
Shipping Dimensions (2 containers)	33 x 21 x 11 inches	838 x 533 x 279 mm

TOOL CONFIGURATIONS

Configure your FF4000 in 2 easy steps.

To configure your FF4000 Flange Facer:

- 1 Select a Base Package
- 2 Select a Facing Head

To configure the flange facer you require, simply select the option you need in each step, then contact your Climax representative.

1 Base Package

Main machine with 1.45 Hp (1.08 kW) pneumatic motor with air conditioning unit, tooling, chuck, and chuck block set. Unit comes packaged in a durable molded container.

49593

2 Facing Head

- 12 inch (304.8 mm) facing head
- 19 inch (482.6 mm) facing head
- 7 inch (177.8 mm) beveling head
- 12.75 inch (323.9 mm) beveling head

35222

34936

34980

35439

Optional Facing/Beveling Bits:

- Facing bit
- Beveling bit 37.5 degrees
- Roughing tool bit
- Finishing tool bit
- 5 degree chamfer tool bit

33141

33136

31867

31858

33315

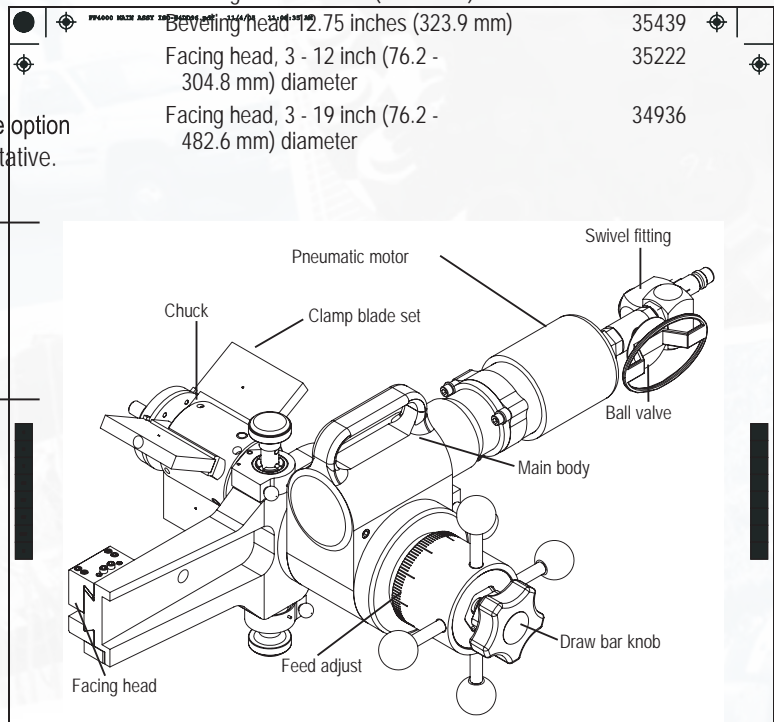
Optional Facing/Beveling Heads:

Beveling head 7 inches (177.8 mm) 34980

Beveling head 12.75 inches (323.9 mm) 35439

Facing head, 3 - 12 inch (76.2 - 304.8 mm) diameter 35222

Facing head, 3 - 19 inch (76.2 - 482.6 mm) diameter 34936



A Fast Five-Step Process

Setup of the FF4000 is quick and easy. The modular design and versatile setup options allows the chuck and main body to be set up separately. An experienced operator can set up the machine in 10 minutes or less.

- 1** Choose from facing or beveling heads.
Place tool bit in tool slot and tighten set screw.



- 2** Align the 3 pin "Quick-Lock" system and tap with plastic mallet to seat.



- 3** Select jaw set according to the ID diameter that the machine will chuck into.



- 4** Place the machine in the bore. Hold to good start height, and tighten hand nut to snug. Push down on hand nut. While holding nut down, turn rod handle to tighten chuck.



- 5** Set tool to desired cutting depth, and begin machining.

